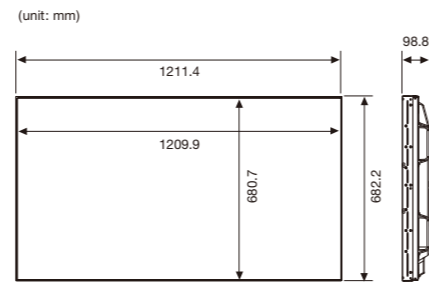


Specifications

MODEL	UN551S	UN551VS
LCD MODULE		
Viewable Size (Diagonal)	55"/1,388 mm	
Active Screen Area (W x H)	1,209.6 x 680.4 mm	
Panel Technology	IPS	
Native Resolution	1,920 x 1,080	
Brightness (Factory setting/Maximum)	500/700 cd/m ²	350/500 cd/m ²
Contrast Ratio (Typical)	1,200:1 (Native contrast)	
Viewing Angle [°]	178 horizontal / 178 vertical (at CR>10)	
Response Time (Typical)	12 ms (G to G)	
Backlight	Direct LED backlight with local dimming	
CONNECTIVITY		
Input Terminals	DisplayPort	DisplayPort x 1
	HDMI	HDMI x 1
	DVI	DVI-D x 1
	VGA	Mini D-sub 15pin x 1
	Audio	Digital: HDMI x 1, DisplayPort x 1, Analogue: 3.5 mm Stereo Mini Jack x 2
Output Terminals	DisplayPort	DisplayPort x 1
	Audio	3.5 mm Stereo Mini Jack x 1
External Speakers	Speaker terminals for L/R x 1	
	D-Sub 9 pin x 1	
External Control	RS232C in	D-Sub 9 pin x 1
	Ethernet	RJ-45 10/100BASE-T x 2 (In/out)
Remote in	3.5 mm Stereo Mini Jack x 1	
Service Port	USB Type A x 1	
Option Slots	Expansion Slots	
Speaker Output	External Speakers	
POWER		
Power Requirement	4.4 A to 1.6 A @ 100 V to 240 V AC, 50/60 Hz	3.4 A to 1.2 A @ 100 V to 240 V AC, 50/60 Hz
Power Consumption (Typical)	180 W @ default	140 W @ default
Power Consumption-standby Mode	<0.5 W	
PHYSICAL SPECIFICATIONS		
Bezel Width	0.9 mm inactive border	
Dimensions (without stand: W x H x D)	1,211.4 x 682.2 x 98.8 mm	
Dimensions (with stand: W x H x D)	1,211.4 x 727.3 x 400.0 mm	
Packaging Dimensions (W x H x D)	1,430 x 863 x 285 mm	
Net Weight (without stand)	26.0 kg	
Gross Weight (with box)	32.5 kg	
VESA Compatible Mounting Interface	400 x 400 mm (M6, 4 holes)	
Supported Orientation	Landscape, Portrait	
ENVIRONMENTAL CONDITIONS		
Operating Temperature	0°C to 40°C	
Operating Humidity	20% to 80% (without condensation)	
ADDITIONAL FEATURES		
Operating Hours	24/7	
Sensors	Ambient Light Sensor	Integrated, triggered actions programmable
	Motion Sensor	Optional, external, 4-5 m range, triggered actions programmable
	Temperature Sensor	Integrated, 3 sensors, triggered actions programmable
	NFC Sensor	Integrated, 2-cm range, free NEC Android App required
ACCESSORIES		
Included	CD-ROM (User Guides/Manuals), DisplayPort Cable, LAN cable, Power cord, Thumbscrews for optional stand, Clamps, Screws, Panel spacers, Panel location guide pins	

Dimensions



Options

Slot Board



Interface Extension Board



Sensor Kit



Stand



Speaker



Wall Mount Kit

Landscape **WM-55UN-L**
Portrait **WM-55UN-P**



Over Frame Kit

KT-55UN-OF4



Enhance your visual performance with NEC's immaculate ultra-narrow bezel public display.

MultiSync® UN551S / UN551VS



MultiSync, NavSet, TileMatrix and Frame Comp are trademarks or registered trademarks of NEC Display Solutions, Ltd. in Japan, the United States and other countries.
The terms HDMI and HDMI High-Definition Multimedia Interface, and the HDMI Logo are trademarks or registered trademarks of HDMI Licensing LLC in the United States and other countries.
DisplayPort and DisplayPort Compliance Logo are trademarks owned by the Video Electronics Standards Association in the United States and other countries.
HDBaseT™ and the HDBaseT Alliance logo are trademarks of the HDBaseT Alliance.
CRESTRON and CRESTRON ROOMVIEW are trademarks or registered trademarks of Crestron Electronics, Inc.
AMX is a trademark or registered trademark of AMX in the United States and other countries.
Trademark PULink is a trademark applied for trademark rights in Japan, the United States and other countries and areas.
VESA is a trademark of a nonprofit organization, Video Electronics Standard Association.
All other trademarks are the property of their respective owners. The images in this brochure are samples.
All specifications are subject to change without notice, August 2016

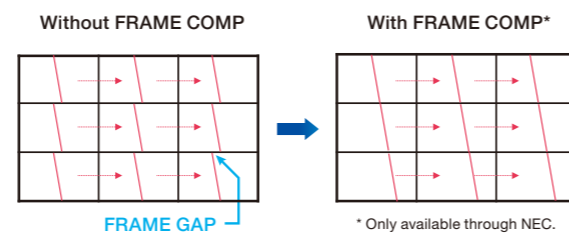
Attract and engage your audience. The new 55" UN551S/UN551VS shapes emotion and desire with NEC's most compelling video wall experience to date.

New frameless design

The new frameless design forms an entirely flat seamless digital canvas allowing a completely homogeneous image across multiple unified screens. The huge digital surface creates an unhindered viewing experience for your audience with a minimal image interruption of just 0.9 mm per screen.

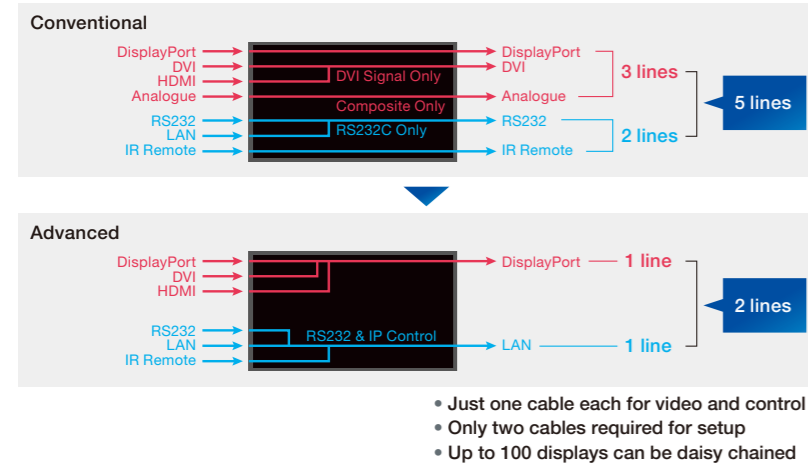
Frame Comp Function

By synchronizing the content across the wall, this feature supports a seamless appearance and displays uninterrupted content to create one stunning image over all screens.



DisplayPort and LAN Control Daisy Chain

Video signals and control signals can be daisy chained with one DisplayPort and LAN line respectively, meaning that just two cables are required for the entire setup.



Auto TileMatrix and Auto ID Technology

Auto TileMatrix and ID features allow you to simply set up the size of the video wall on the first display, and then automatically scale the content through the remaining displays to set up the entire video wall (of up to 100 displays in a 10 x 10 matrix).

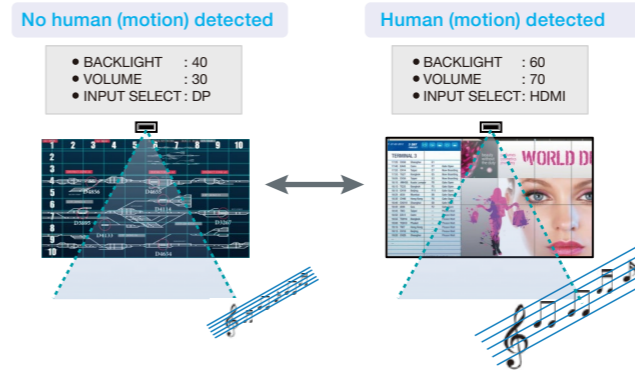
Intelligent Wireless Data Function

The built-in near field communication (NFC) chip allows data to be read and written via a mobile phone or tablet PC. Users can significantly reduce installation costs as displays can be easily configured and serviced using the NEC NFC Android app. This is available even when the display is switched off and is especially useful on larger installations.



Human (motion) sensor and Advanced Auto Dimming

This optional human (motion) sensor accessory (KT-RC2) helps to deliver creative digital signage to end users by allowing for dynamic control of brightness, audio and source inputs while saving operating costs. Auto dimming adjusts the backlight of the LCD automatically depending on the amount of ambient light.



Dedicated Colour Calibration Software

As the brightness and colour temperature of the LCD change with time, colours may not match across multiple screens. Our dedicated colour calibration software* ensures colour uniformity and fidelity across multiple screens, creating a perfectly matched image in tiled environments.

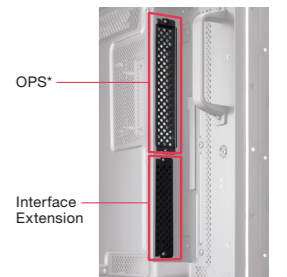
* NEC Display Wall Calibrator

Other Useful Features and Functions

- Landscape/portrait capability
- Scheduler w/real-time clock
- Intelligent power management system
- Power-on delay
- Screen saver function
- Aspect ratio control
- Memo function
- Carbon footprint meter
- Image and on-screen display flip
- Picture-in-picture, Picture-out-picture
- Point zoom
- Control lock function
- 6-axis colour adjustments and sRGB standard
- Advanced video settings (noise reduction, adaptive contrast)
- Colour temperature adjustment
- Programmable gamma setting (3 settings)
- DICOM simulation
- Plug and play (DDC/CI, DDC2B)
- HDCP (High-bandwidth Digital Content Protection)
- Ethernet and RS-232C control and communication
- CRESTRON ROOMVIEW™
- AMX Discovery HTTP server
- PjLink
- Self-diagnosis
- Status log function
- Firmware update over LAN
- Metal rear cabinet with VESA Standard (FDMIv1) mounting interface
- Handles

Optional Dual Expansion Slots

The dual slot technology allows for the integration of Open Pluggable Specification (OPS*) boards and other option slot products without the need to store additional external equipment. This offers the greater flexibility customers require.



*OPS is a standard established by Intel Corporation.

NaViSet Administrator 2

This software is an all-in-one remote support solution that runs from a central location and provides monitoring, asset management and control functionality of the majority of NEC display devices and Windows computers. It is ideal for multi-device installations over larger infrastructures.



Proof of Play

This function provides accurate proof that displays are working as established and is helpful when checking on the status of the displays installed at a user's site.

Advanced Heat Management

Monitoring and managing the temperature of each display is crucial to secure reliability and longevity. An industrial-strength, premium-grade panel with additional thermal protection, internal temperature sensors with self-diagnostics, and fan-based technology allows for 24/7 operation and protects your display investment.



Without heat management, displays placed higher on a wall sustain more heat. However, NEC's advanced heat management ensures uniform heat dissipation.

DisplayPort Multi-stream Function

Thanks to the multi-stream function of DisplayPort technology, multiple displays can be daisy chained and still be individually controlled. This also makes a 2 x 2 video wall with native Ultra High Definition 4K/2K (3,840 x 2,160) possible.

Terminals

